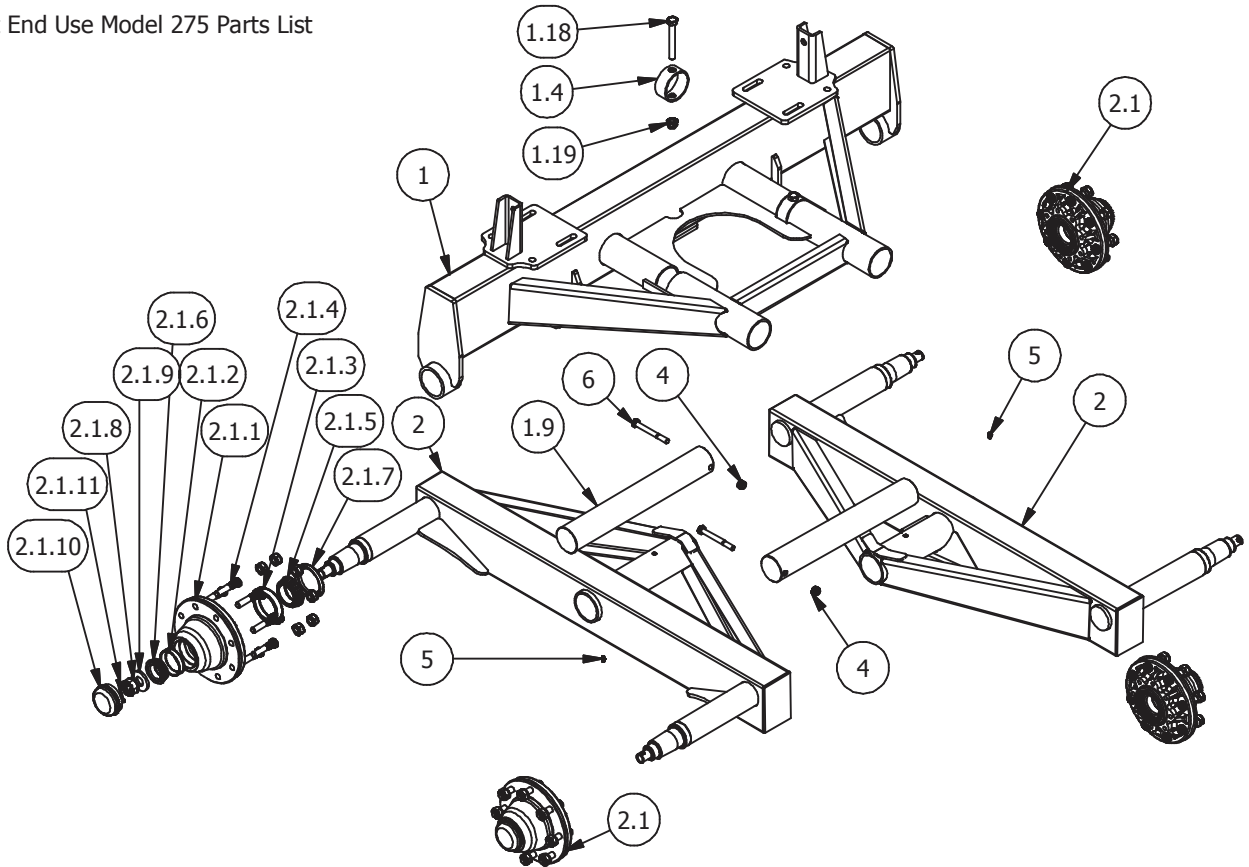


2004-2010

HORST
WAGONS

MODEL 325 REAR COMPLETE

*For Front End Use Model 275 Parts List



Model 325 Complete Rear Parts List

ITEM	QTY	PART #	DESCRIPTION
1	1	WA-R325	Rear Axle Less Walking Beams
1.4	2	22-1024	Retainer Ring
1.9	2	22-1621	Walking Beam Slider
1.18	2	11-1025	5/8 x 4 1/2 Hex Bolt & Locknut
1.19	2	11-1026	5/8 Lock Nut
2	2	22-1623	Walking Beam
2.1	2	33-1123	8000 lb Hub c/w Parts
2.1.1	1	11-1122	8000 lb Hub
2.1.2	1	11-1127	[Cup (LM501310)]
2.1.3	1	11-1126	[Cup (JLM506810)]
2.1.4	8	11-1130	0.625in Press-in Wheel Bolt
2.1.5	1	11-1125	[Cone(25590)]
2.1.6	1	11-1128	[Cone(25877)]
2.1.7	1	11-1124	[Seal(CR20148)]
2.1.8	1	11-1081	Slotted Hex Nut
2.1.9	1	11-1132	1in Washer EM-8000
2.1.10	1	11-1129	8,000 lb Dust Cover
2.1.11	1	11-1016	3/16 x 2 Cotter Pin
2.1.12	8	11-1131	5/8" Wheel Nut
4	2	LA-SB1022	1/2" Lock Nut
5	2	11-1545	1/8 x 27 Fine NPT Extra Short Straight Hydraulic Grease Fitting
6	2	11-1095	1/2" x 4 1/2" Bolt & Nut
7	1	WA-W325	325 Walking Beam Complete With Hubs & Bearings